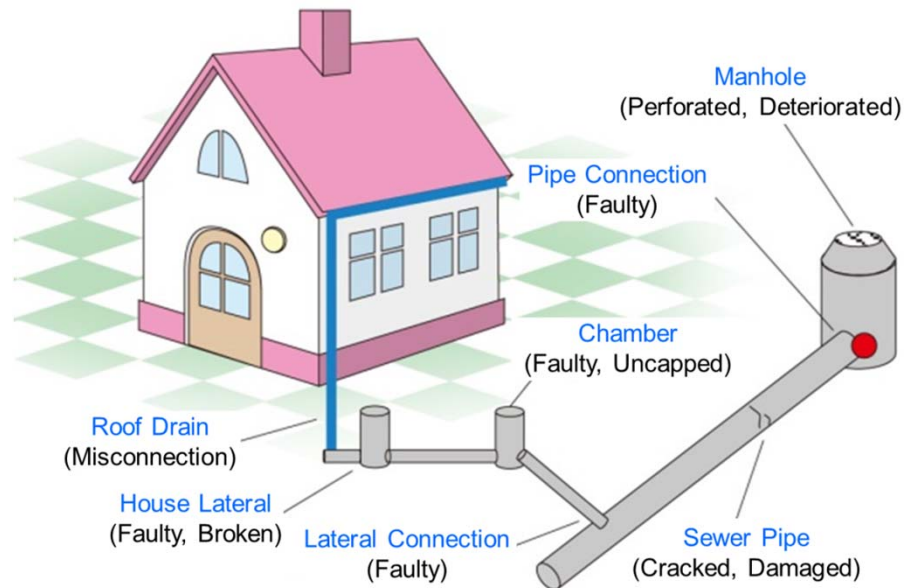
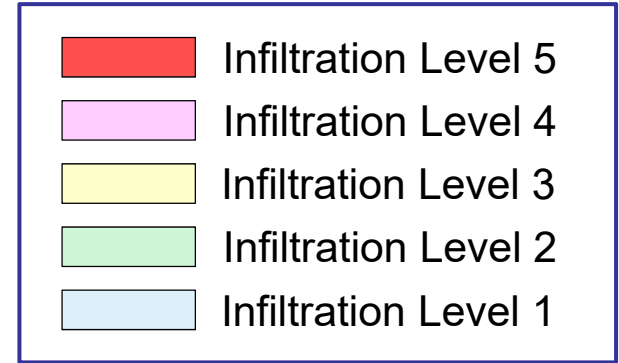
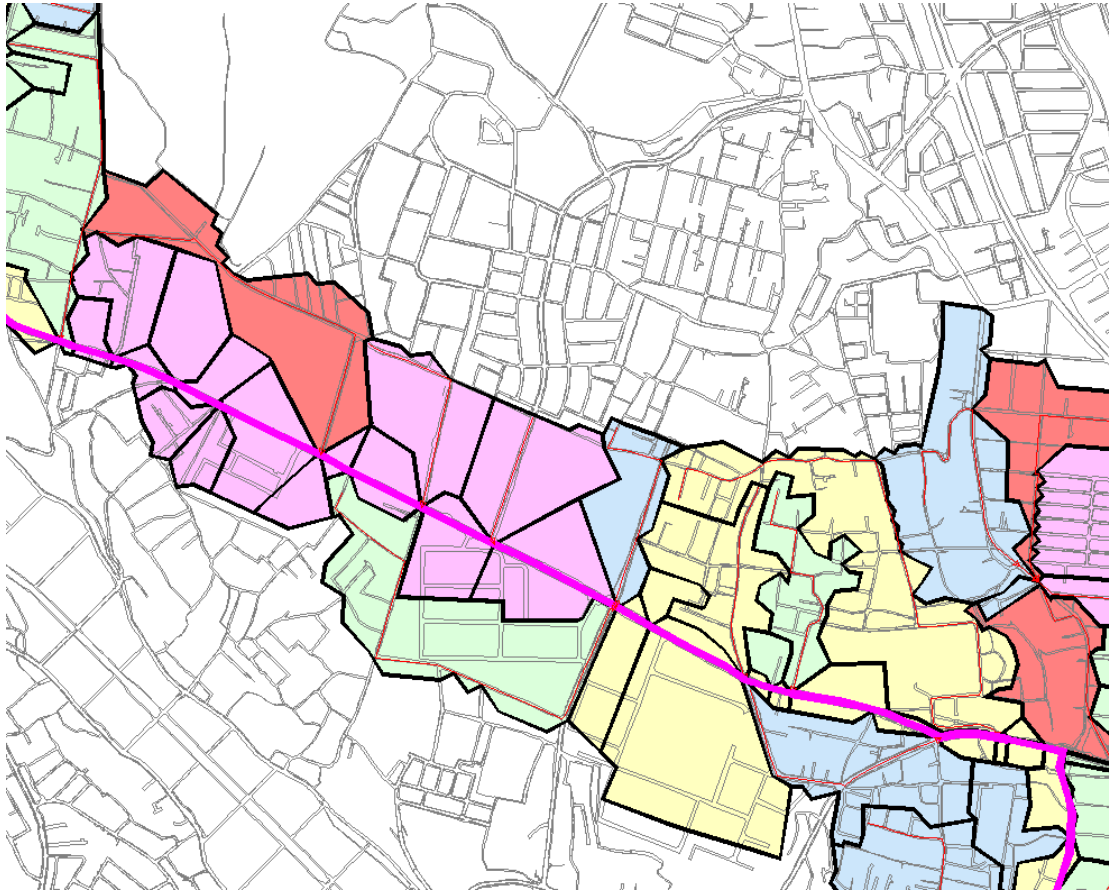
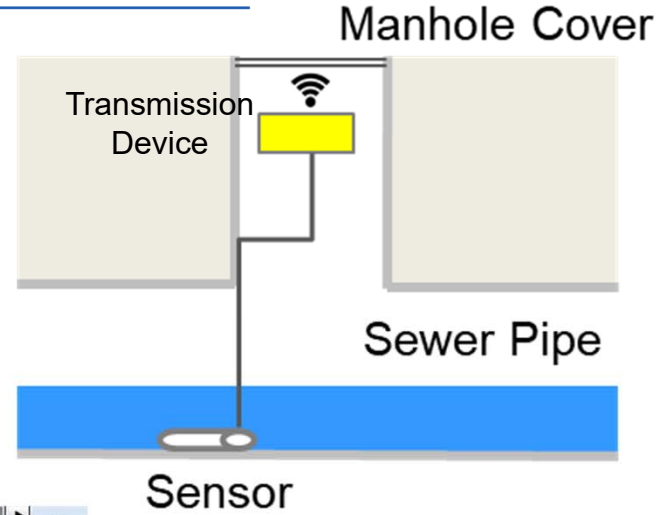
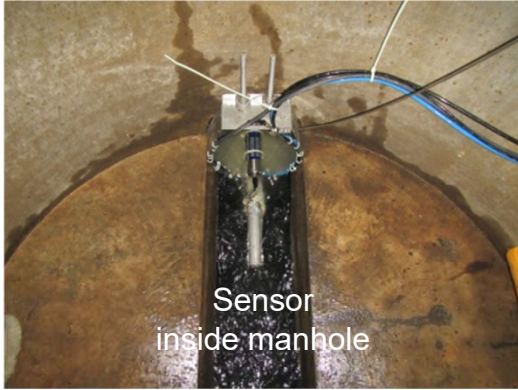


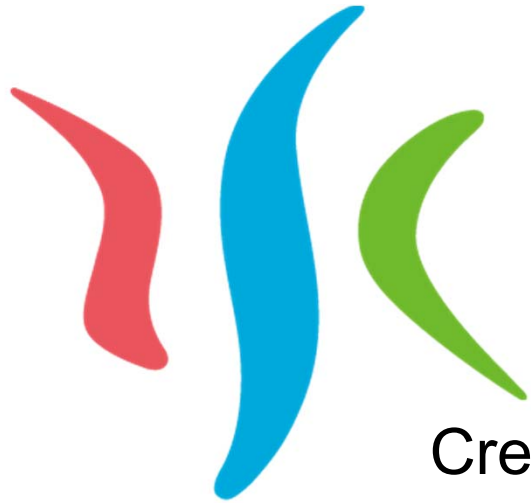
2. Detection Technology for Sewer Inflow & Infiltration



Narrowing the Area of Inflow & Infiltration







Creating the Future of Water

Nihon Suido Consultants Co., Ltd.

Water and Environmental Consultants

Address. 22-1, Nishi-Shinjuku 6-Chome, Shinjuku-ku, Tokyo 163-1122, Japan
TEL. +81-3-5323-6200 FAX. +81-3-5323-6480 E-Mail: keieikikaku@nissuicon.co.jp
URL. <http://en.nissuicon.co.jp/>